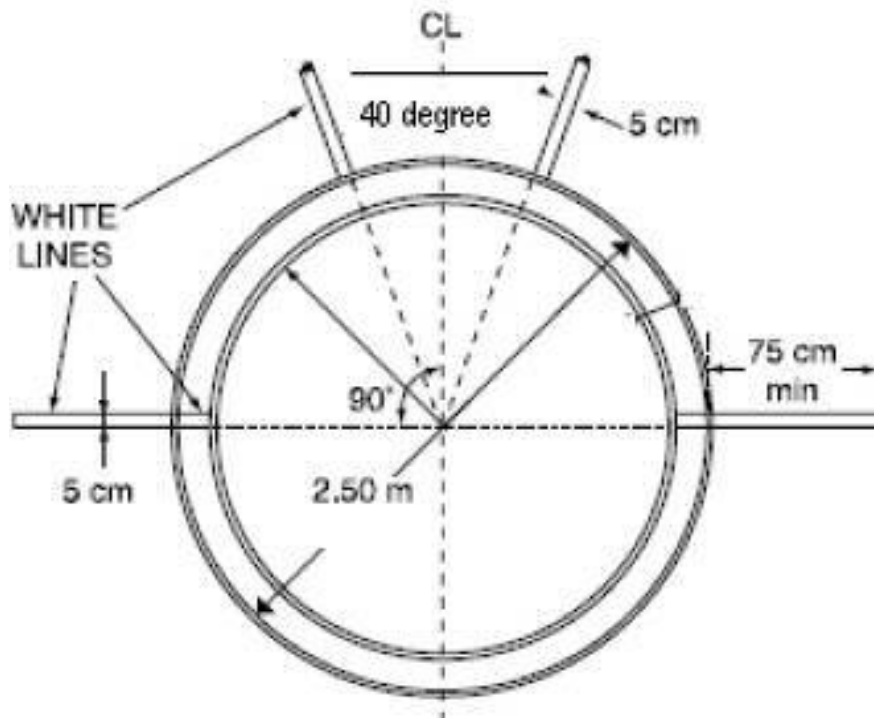


## SHOT PUT DIMENSIONS



## SHOT PUT WEIGHTS (kg)

AGE	GIRLS	BOYS
U12	2.0	3.0
U13	3.0	3.0
U14	3.0	4.0
U15	3.0	4.0
U16	4.0	4.0
U17	4.0	5.0
U18	4.0	5.0
U21	4.0	6.0

<http://www.hartsport.com.au/info-tips/athletics>

<http://fulltext.ausport.gov.au/fulltext/1998/wa/dimplay/athfield.pdf>

<http://www.bhlac.org.au/resources/1/PDF/BHLA.SP.pdf>

[http://www.toro.com.au/files/dimension/Sports\\_Field\\_Dimensions\\_V5.pdf](http://www.toro.com.au/files/dimension/Sports_Field_Dimensions_V5.pdf)